

Student Credit Hours Earned: _____

Graduating Senior (Yes/No): _____

**J. Warren McClure School of
Emerging Communication Technologies**

Declaration of Area of Concentration

Purpose: The area of concentration gives students a chance to identify an area which will help them prepare for their specific career goals and to study that area in depth. The area of concentration should not be a random mix of courses; it should be a series of courses, usually from one area (possibly two), which the student wishes to pursue. Examples of areas of concentration include Computer Science, Management, Management Information Systems, Communication Studies, International Studies, Political Science, Economics, Marketing, Foreign Languages, and many other possibilities.

Procedure: By the end of the student's sophomore year, and/or completion of ITS 2140 or ITS 2300, he or she should, in consultation with the advisor, identify a five (5) course area of concentration. The courses need to add up to at least 14 credit hours, with no less than 6 credit hours at the 3000/4000 level.

Please note: Courses identified as part of the area of concentration cannot be used to fulfill any other requirements for the ITS curriculum.

The following courses have been deemed by the student and the advisor as acceptable for the student's area of concentration. The student is required to complete five (5) of the following classes with no less than 14 credit hours (6 credit hours must be at the 3000-level or above):

Prefix, Number	Credit Hours and Course Title
_____	_____
_____	_____
_____	_____
_____	_____
_____	_____
_____	_____
_____	_____

Student: Name _____ PID# _____

Sign or type name again: _____ Date _____

Advisor's Name _____

Advisor's Signature: _____ Date _____

Office Use Only:	Date entered into database _____
	Date sent to College Records Office _____

**Examples of Areas of Concentration
Select Five (5) Courses**

Management:

MGT 3000	(3) Principles of Operations
MGT 3400	(3) Organizational Behavior
MGT 3500	(3) Theories of Organizational Effectiveness
MGT 3550	(3) Creativity and Innovation Management
MGT 3700	(3) Introduction to Entrepreneurship
MGT 4430	(3) Managerial Decision Making

Management Information Systems:

QBA 1720	(3) Intro to Information Analysis and Descriptive Analytics
MIS 2020	(3) Business Information Systems
MIS 2200	(3) Systems Analysis and Design
MIS 2800	(3) Business Intelligence and Information Management
MIS 3200	(3) Systems Development
MIS 3800	(3) Enterprise Systems Implementation
MIS 4550	(3) Distributed Systems
MIS 4560	(3) Collaboration Systems
MIS 4580	(3) Advanced Database Applications
MIS 4900	(3) Special Topics

Communication Studies:

COMS 2020	(3) Communication and Persuasion
COMS 2040	(3) Principles and Techniques of Interviewing
COMS 2050	(3) Techniques of Group Discussion
COMS 3060	(3) Interpersonal Conflict Management
COMS 4050	(3) Meeting and Conference Planning
COMS 4200	(3) Gender and Communication

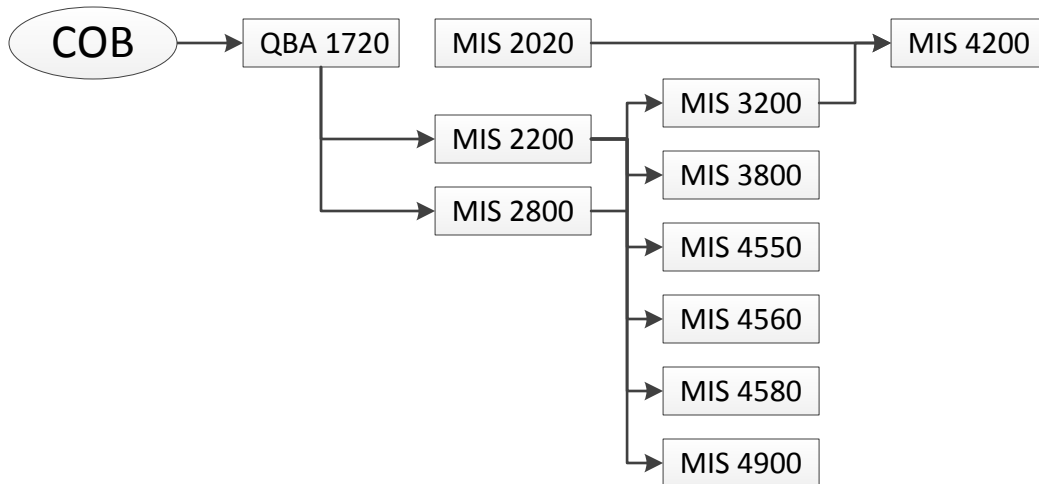
Certificate programs available at Ohio University can also provide the foundation for an Area of Concentration. For example, the following certificate programs could be used to create an Area of Concentration:

- Global Leadership Certificate.
- Certificate in Social Media Studies (College of Communication).
- Sales Certificate (College of Business).
- Entrepreneurship Certificate (College of Business).

The key is that the courses should, taken together, make a coherent, sensible contribution toward a career in the information and telecommunication systems industry.

Please note: Courses required of all ITS students, such as FIN 3000 or MKT 2020, cannot also be part of an Area of Concentration. This is also true of the course used to satisfy the ITS programming requirement.

Guide to MIS Courses for ITS Advising



Titles:

- QBA 1720 - Intro to Information Analysis and Descriptive Analytics.
- MIS 2020 - Business Information Systems
- MIS 2200 - Systems Analysis and Design
- MIS 2800 - Business Intelligence and Information Management
- MIS 2900 - Special Topics in Management Information Systems
- MIS 2910 - Internship
- MIS 3200 - Systems Development
- MIS 3800 - Enterprise Systems Implementation
- MIS 4200 - Information System Consulting Project
- MIS 4550 - Distributed Systems
- MIS 4560 - Collaboration Systems
- MIS 4580 - Advanced Database Applications
- MIS 4900 - Special Topics

Notes:

- Currently, ITS students are required to take MIS 2021 as an ITS requirement.
- Completing an AOC in MIS will require a total of five (5) additional MIS courses. Recommend choosing 3000/4000 electives other than MIS 4200. For example:

QBA 1720; MIS 2200; MIS 2800; MIS 3200; MIS 3800.